

4

3

2

1

THIS DRAWING IS UNPUBLISHED. VERTRAULICHE UNVERÖFFENTLICHTE ZEICHNUNG. RELEASED FOR PUBLICATION FREI FUER VERÖFFENTLICHUNG. MATED WITH: PASSEND ZU: -

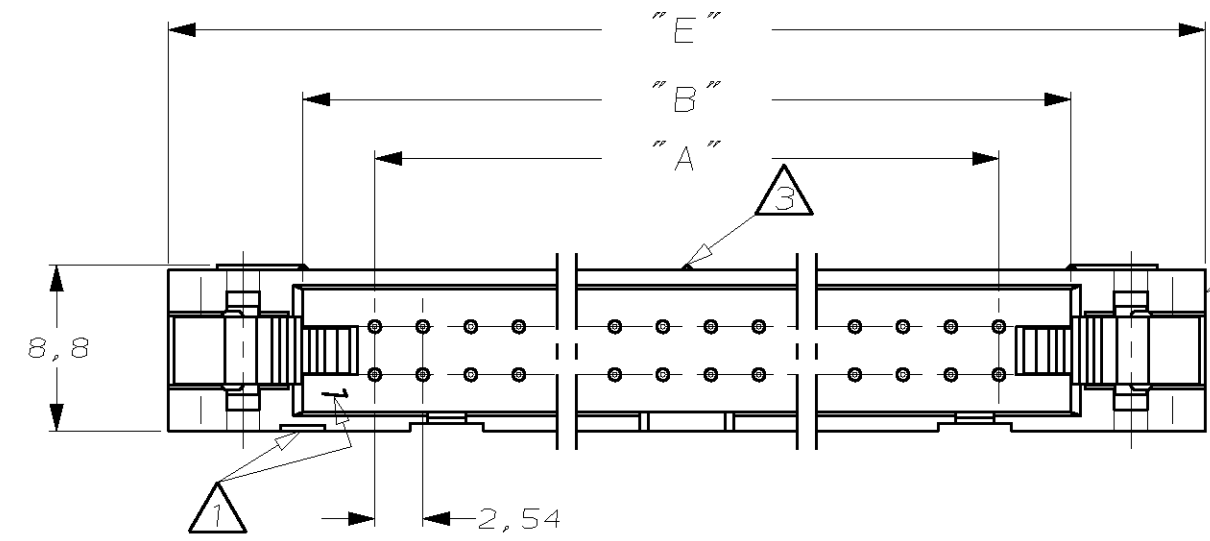
LOC AI DIST -

REVISIONS

P	LTR	DESCRIPTION	DATE	DWN	APVD
	B	EG00-0189-97	17FEB97	R.B.	U. LAU
	B1	PLATING DURAGOLD OR GOLD ALTERNATIVELY USABLE	13-JUN-03	MAH.	STRED.

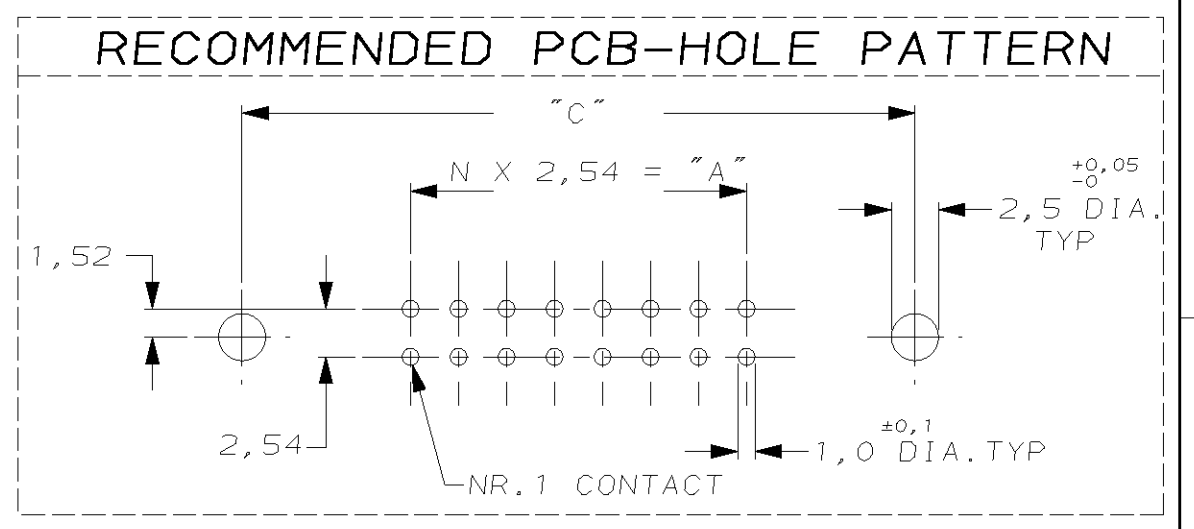
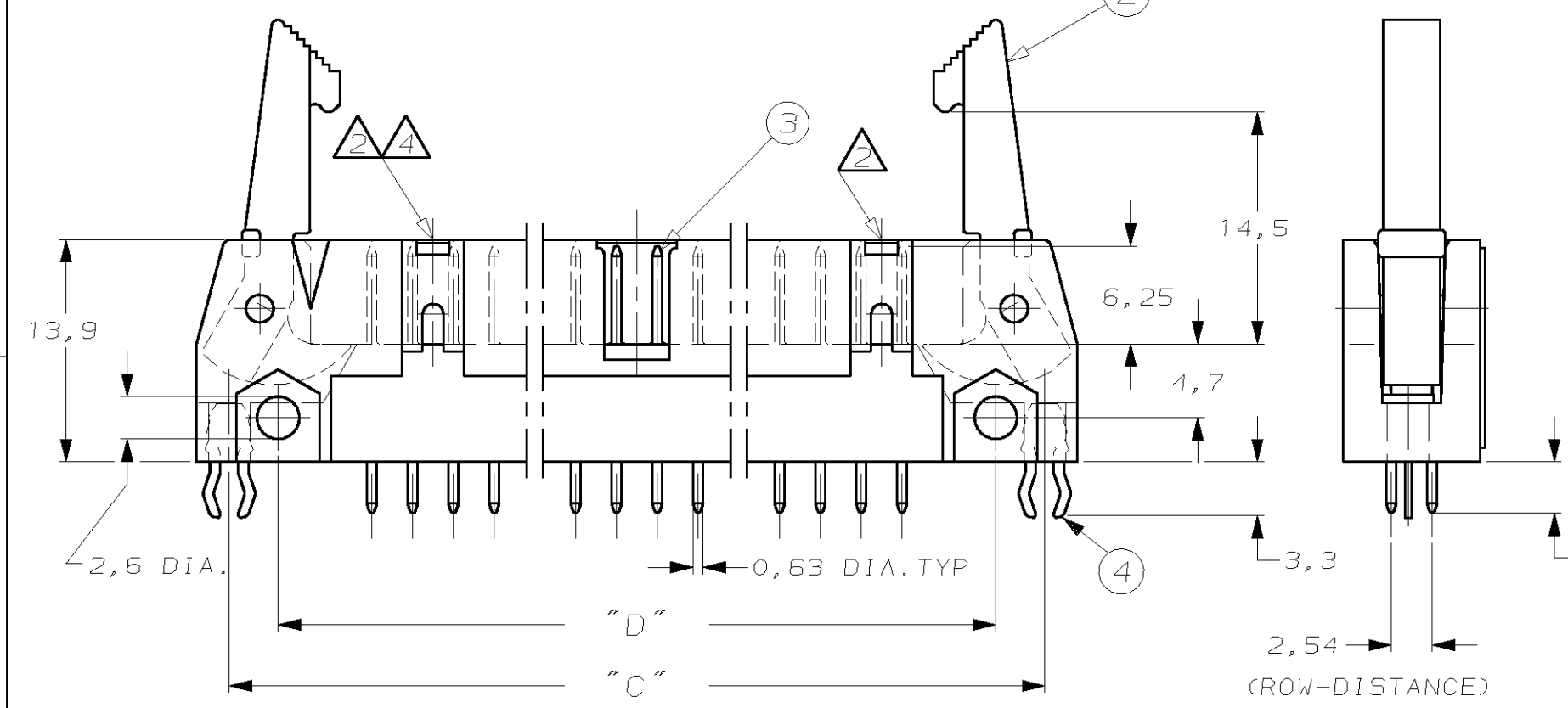
PROJEKT NR.: -

© COPYRIGHT 19- BY AMP INCORPORATED. ALL RIGHTS RESERVED. ALLE RECHTE VORBEHALTEN.



NOTES:

- ① INDICATION OF FIRST POSITION.
- ② SNAP-IN POLARIZERS PN. 927636-2 OR 927637-2 CAN BE APPLIED HERE.
- ③ THERE IS NO CENTER STAND-OFF IN 10-26 POS. HEADERS.
- ④ THERE IS NO WINDOW FOR SNAP-IN POLARIZERS AT THIS END IN 10 AND 14 POS. HEADERS.



④ BOARD LOCK FOR AMP-LATCH PIN HEADER	BRONZE	5-10µm TIN OVER
③ PIN-CONTACT	BRASS	MATING SIDE: 0,8µm AU OR 0,8µm AMP DURAGOLD® / OVER 1,27µm NI SOLDER SIDE: MIN. 3,0µm SN OVER 1,27µm NI
② LATCH	GLASSFILLED POLYESTER	GREY
① HOUSING	GLASSFILLED POLYESTER	GREY
COMPONENT NAME	MATERIAL	PLATING / COLOUR

DIM. "E"	DIM. "D"	DIM. "C"	DIM. "B"	DIM. "A"	NR. OF POSITIONS	PARTNUMBER
100,6	90,4	96,5	86,4	78,7	64	6-216393-4
95,5	85,3	91,4	81,3	73,7	60	6-216393-0
82,8	72,6	78,7	68,6	61,0	50	5-216393-0
70,1	59,9	66,0	55,9	48,3	40	4-216393-0
62,5	52,3	58,4	48,3	40,6	34	3-216393-4
52,3	42,2	48,3	38,1	30,5	26	2-216393-6
44,7	34,5	40,6	30,5	22,9	20	2-216393-0
39,6	29,5	35,6	25,4	17,8	16	1-216393-6
37,1	26,9	33,0	22,9	15,2	14	1-216393-4
32,0	21,8	27,9	17,8	10,2	10	1-216393-0

THIS DRAWING IS A CONTROLLED DOCUMENT FOR AMP INCORPORATED. IT IS SUBJECT TO CHANGE AND THE CONTROLLING ENGINEERING ORGANIZATION SHOULD BE CONTACTED FOR THE LATEST REVISION. DIESES ZEICHNUNGSDOKUMENT WIRD DURCH AMP INCORPORATED KONTROLLIERT. AENDERUNGEN, DIE DEM TECHNISCHEN FORTSCHRITT DIENEN, SIND VORBEHALTEN. DEN JEWELIS LETZTIGELTIGEN AENDERUNGSSTAND ERFAHREN SIE AUF ANFRAGE.

DIMENSIONS: mm

TOLERANCES UNLESS OTHERWISE SPECIFIED:

n. ISO 2768 - mH -E
n. DIN 16901 - 140

0 PLC ±-
1 PLC ±-
2 PLC ±-
3 PLC ±-

ANGLES /WINKEL ±-
FINISH /OBERFLAECHE/FARBE

MATERIAL

DWN R. BLUMENSCHNEIN 17FEB97
CHK U. LAUDENBACH 17FEB97

AMP Deutschland GmbH
D - 63225 Langen

AMP-LATCH EJECTION-STYLE PINHEADER STRAIGHT
VERSION WITH LATCHES AND BOARD LOCK DEVICE

SIZE A3 CAGE CODE 00779 DRAWING NO C-216393
RESTRICTED TO NUR FÜR

WEIGHT GEWICHT -

CUSTOMER DRAWING /KUNDENZEICHNUNG MASSSTAB 2,5:1 BLATT 1 OF 1 REV B1